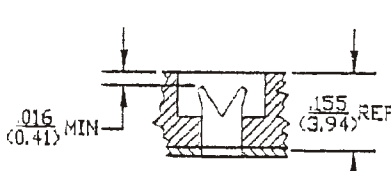
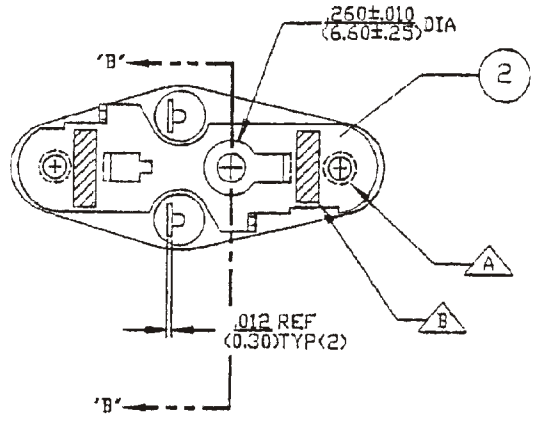
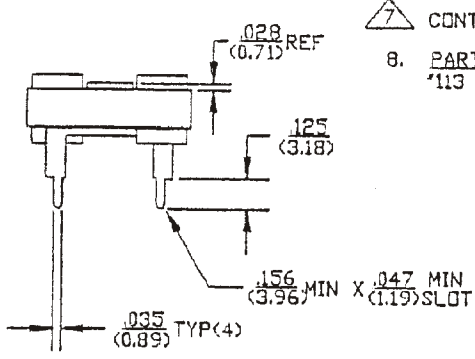
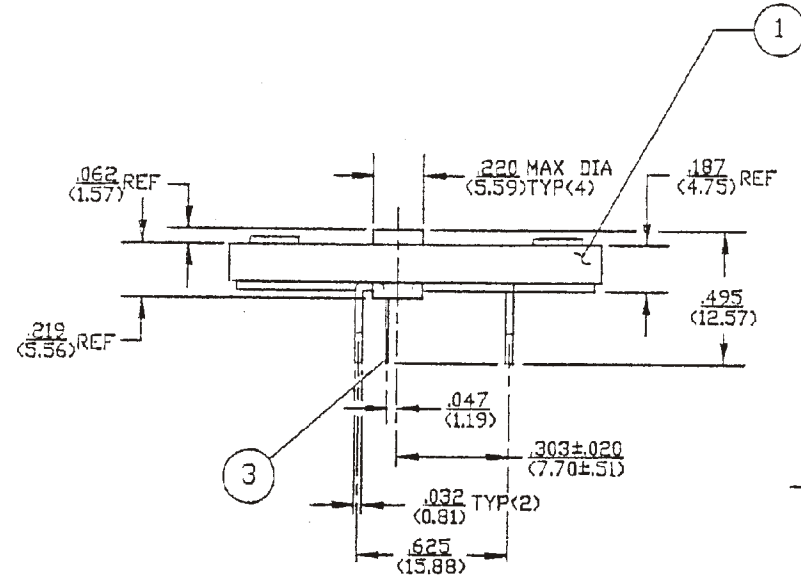
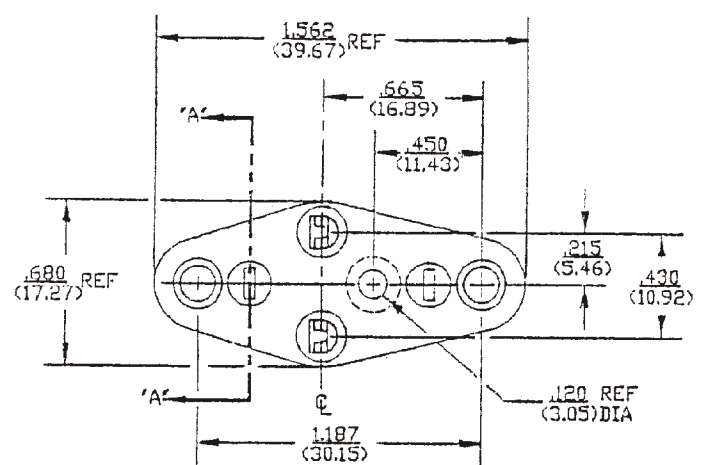


### REVISION RECORD

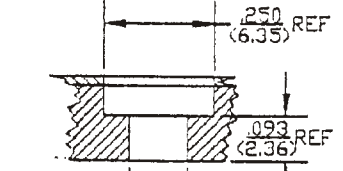
ECN NO.	CUSTOMER REV.	AAVID REV.	DATE
11779	C	--A	2/12/01
1865	C	--B	1/5/04
1951	C	--C	5/26/04
1953	C	--D	5/27/04
2021	C	--E	9/14/04

PART TABLE			
ITEM	DESCRIPTION	MATL	QTY.
1	BODY (15116-3)	SEE	1
2	COLLECTOR PLATE (15979-1)	NOTE	1
3	CONTACTS (15980)	△	2

035120  
035121  
035123



SECTION 'A - A'  
SCALE 4:1



SECTION 'B - B'  
SCALE 4:1

- NOTES:
- D.C. CURRENT RATING: 10 AMPS CONTINUOUS DUTY - 15 AMPS PEAK.
  - CONTACT RESISTANCE: AFTER 3 INSERTIONS OF A  $.043 \pm .0001$  (1.092 ± .002) DIA PIN CONTACT RESISTANCE WITH A  $.038 \pm .0001$  (0.965 ± .002) DIA PIN INSERTED SHALL NOT EXCEED .0075 OHMS AT 5 AMPS.
  - INSERTION FORCE: THE FORCE REQUIRED TO INSERT A  $.043 \pm .0001$  (1.002 ± .002) DIA PIN SHALL NOT EXCEED 5 LBS.
  - CONTACT RETENTION: AFTER 3 INSERTIONS OF A  $.043 \pm .0001$  (1.092 ± .002) DIA PIN, THE CONTACT MUST BE ABLE TO RETAIN A 3 OUNCE PIN OF  $.038 \pm .0001$  (0.965 ± .002) DIA.
  - TEST PINS: SHALL BE OF HARDENED STEEL WITH CHAMFERED TIP.
- △ MATERIAL:
- ITEM NO. 1, BODY: THERMOPLASTIC POLYESTER 30% GLASS FILLED PER MIL-M-24519 TYPE GPT-30F WITH U.L. TEMPERATURE INDEX OF 130°C OR BETTER AND FLAMMABILITY RATING 94 V-0.  
COLOR - BLACK (15116-1) FOR 6-32 UNC-2B THREADS  
GREY (15116-3) FOR M3 x 0.5-6H THREADS
- ITEM NO. 2, COLLECTOR PLATE: BRASS WITH TIN PLATE.
- ITEM NO. 3, CONTACTS: PHOSPHOROUS BRONZE .012(.30) THICK WITH TIN PLATE.
- △ CONTACTS ARE FREE FLOATING IN BODY, POSITIONAL TOLERANCE  $\pm .016$ (.41) DOES NOT INCLUDE FLOAT.
8. PART MARKING: PART NO. 16357-1 WAS ORIGINALLY PART MARKED WITH PART MARK '113 P 10020' PRIOR TO A CATALOG NUMBER (8118 PF 303) BEING ASSIGNED.

035128

C	ADD -3 PART	3/19/92	901777	C.H.D.	D.L.B	TOLERANCES: $\pm .016$ (.41) $\pm 1/7$ EXCEPT AS NOTED	NOTE: METRIC DIMENSIONS ARE IN PARENTHESES AND ARE EXPRESSED IN MILLIMETERS.
LEVEL	REVISION RECORD	DATE	ECN	DRAWN	CHECKED	MATERIAL: SEE NOTE	 <b>Thermalloy Inc.</b> SOCKET, TO-3 POWER (SOLDERABLE) SCALE 2:1 ORIGINATING ECN: 6408 SIZE: C DRAWING NUMBER: THM,16357-1 REVISION: C
PROPRIETARY INFORMATION THIS DOCUMENT CONTAINS PROPRIETARY AND/OR PATENT INFORMATION AND IS NOT TO BE REPRODUCED IN WHOLE OR PART WITHOUT WRITTEN AUTHORIZATION BY THERMALLOY, INC., EXCEPT PREPARING SOURCING INFORMATION SPECIFICATIONS FOR THERMALLOY, INC. PRODUCTS.						DRAWN: J.RUVANG DATE: 7/2/82 CHECKED: D.BLAND DATE: 7/2/82 APPROVED: D.BLAND DATE: 7/2/82	
						CODE IDENTIFICATION NUMBER 13103	